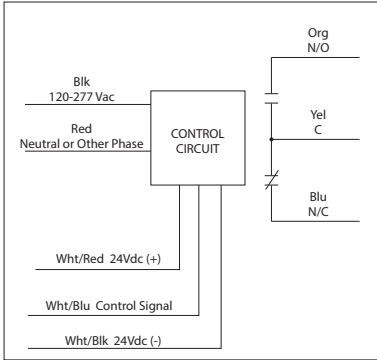


POWER PACK

RIB21BPP5

Enclosed Power Pack, 20 Amp SPDT, 24Vdc @ 210mA Power Output, 120-277 Vac Power Input



SPECIFICATIONS

Relays & Contact Type: One (1) SPDT Continuous Duty Coil
Expected Relay Life: 10 million cycles minimum mechanical
Operating Temperature: -30 to 104° F
Humidity Range: 5 to 95% (noncondensing)
Operate Time: 1.8 Seconds
Relay Status: Red LED On = Activated
Power Status: Green LED On = 24Vdc out
Dimensions: 2.30" x 3.20" x 1.80" with .75" NPT Nipple
Wires: 16", 600V Rated
Approvals: UL Listed, UL916, C-UL, CE, RoHS
Housing Rating: UL Accepted for Use in Plenum, NEMA 1
Gold Flash: No
Momentary Override: Yes

Contact Ratings:
 20 Amp Resistive @ 277 Vac
 5 Amp Resistive @ 480 Vac
 20 Amp Ballast @ 277 Vac
 16 Amp Electronic Ballast @ 277 Vac (N/O)
 10 Amp Tungsten @ 120 Vac (N/O)
 770 VA Pilot Duty @ 120 Vac (N/C)
 1100 VA Pilot Duty @ 277 Vac (N/C)
 2 HP @ 277 Vac
 1 HP @ 120 Vac

Power Input:
 250 mA @ 120 -277 Vac

DC Output:
 24 Vdc @ 210mA, Class 2

OCCUPANCY SENSOR APPLICATION

The RIB21BPP5 can be used to provide power to an occupancy sensor and control a lighting load based on the status of the occupancy sensor. The white/red and white/black wires can be used to power an occupancy sensor with 24Vdc. When the white/blue wire is connected to the white/red wire through the occupancy sensor contact, the relay will activate, switching the lighting load On or Off.

